

# P500 Case/System Stainless Steel

## Bourdon Tube Pressure Gauge



### Application:

- For aggressive media and environment
- Chemical/petrochemical, on/off shore, power station

### Special Features

- Shock and vibration resistance
- Long lifetime

### Technical Data

**Diameter:** 40, 50, 63, 100, 150, 160 mm

**Case/Bezel:** Stainless steel. Crimped ring: 40 and 50mm, bayonet ring: 63, 100, 150 and 160mm, natural finish stainless steel

#### **Ranges:**

40 mm: 0...1 to 0...400 bar  
50 mm: 0...1 to 0...600 bar  
63 mm: 0...1 to 0...1 000 bar  
100 mm: 0...0,6 to 0...1 600 bar  
150 mm: 0...0,6 to 0...1 600 bar  
160 mm: 0...0,6 to 0...1 600 bar

#### **Working pressure:**

40, 50, 63, 80 mm size:  
Steady: ¼ of full scale value  
Fluctuating: 2/3 of full scale  
Short time: full scale value

100, 150, 160 mm size:  
Steady: full scale value  
Fluctuating: 0.9 of full scale value  
Short time: 1.3 of full scale value

#### **Operating Temperature:**

Ambient: - 40°C...+60°C (non-filled)  
- 20°C...+60°C (filled)  
Medium: +200°C max.  
+100°C filled

#### **Temperature effect:**

Deviation when temperature of the Bourdon Tube deviates from +20C: max. +/- 0,4%/10K of the full scale value

#### **Protection:**

IP 65 per EN 60 529/ IEC 529

#### **Accuracy class:**

40/50/63/80 mm: 1,6 %  
100/150/160 mm: 1 %

#### **Pressure element:**

Material: stainless steel AISI 316L  
≤ 60 bar: C-type  
> 100 bar: helical type

#### **Pressure connection:**

Material: Material stainless steel AISI 316  
Lower (LM) and center back mount (CBM)  
40 mm: G 1/8 B (M10x1)  
50 and 63 mm: G ¼ B (M12x1,5)  
100, 150,160 mm: G ½ B (M20x1,5)

**Movement:** Stainless steel

**Dial:** White aluminium with black lettering

**Pointer:** Black aluminium

**Window:** Polycarbonate

**Liquid filling:** Glycerine 99.7 %

#### **Options:**

Other pressure connection  
3-hole panel mounting or U-clamp  
Alarm Contacts  
Transmitter  
Safety Glass

#### **Order information**

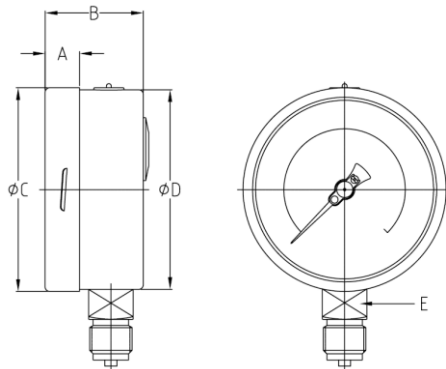
Model/Size/Scale range/Size of connection/Options

PA Instruments, s.r.o  
Vazska 1, 911 05 Trencin  
Tel: +421-32 652 42 10

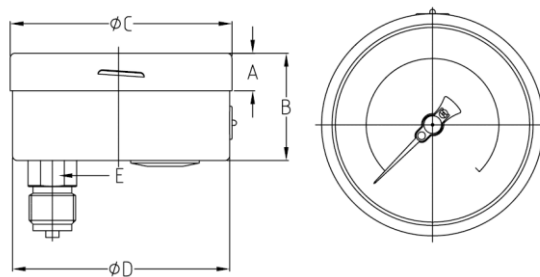
<http://www.pai.sk> E-mail: sales@pai.sk

# P500 Case/System Stainless Steel

## Bourdon Tube Pressure Gauge



NS	A	B	φC	φD	E	
40	/	/	/	/	/	
50	/	/	/	/	/	
63	12	31.5	63.5	61.5	14	
80	/	/	/	/	/	
100	17	48.5	100.3	98.3	22	
150	18	50	151.8	149	22	
160	18	50.7	160.8	158	22	



NS	A	B	φC	φD	E	
40	/	/	/	/	/	
50	/	/	/	/	/	
63	12	31.5	63.5	61.5	14	
80	/	/	/	/	/	
100	17	48.5	100.3	98.3	22	
150	18	50	151.8	149	22	
160	18	50.7	160.8	158	22	

**PA Instruments, s.r.o**  
**Vazska 1, 911 05 Trencin**

**Tel: +421-32 652 42 10**

**<http://www.pai.sk> E-mail: sales@pai.sk**