

Magnetic float switch, model HLS-M

EN

Schwimmer-Magnetschalter, Typ HLS-M

DE



Fig. top: Plastic version, for installation from inside

Fig. bottom: Stainless steel version, for installation from outside

© 2015 WIKA Alexander Wiegand SE & Co. KG

All rights reserved. / Alle Rechte vorbehalten.

WIKA®/KSR® is a registered trademark in various countries.

WIKA®/KSR® ist eine geschützte Marke in verschiedenen Ländern.

Prior to starting any work, read the operating instructions!  
Keep for later use!

Vor Beginn aller Arbeiten Betriebsanleitung lesen!  
Zum späteren Gebrauch aufbewahren!

# Contents

<b>1. General information</b>	<b>4</b>
<b>2. Design and function</b>	<b>5</b>
<b>3. Safety</b>	<b>6</b>
<b>4. Transport, packaging and storage</b>	<b>9</b>
<b>5. Commissioning, operation</b>	<b>9</b>
<b>6. Faults</b>	<b>14</b>
<b>7. Maintenance and cleaning</b>	<b>15</b>
<b>8. Dismounting, return and disposal</b>	<b>16</b>
<b>9. Specifications</b>	<b>15</b>
<b>Appendix: EC Declaration of conformity</b>	<b>18</b>

# 1. General information

## 1. General information

- The magnetic float switch described in the operating instructions has been designed and manufactured using state-of-the-art technology. All components are subject to stringent quality and environmental criteria during production. Our management systems are certified to ISO 9001 and ISO 14001.
- These operating instructions contain important information on handling the instrument. Working safely requires that all safety instructions and work instructions are observed.
- Observe the relevant local accident prevention regulations and general safety regulations for the instrument's range of use.
- The operating instructions are part of the product and must be kept in the immediate vicinity of the instrument and readily accessible to skilled personnel at any time. Pass the operating instructions onto the next operator or owner of the instrument.
- Skilled personnel must have carefully read and understood the operating instructions prior to beginning any work.
- The general terms and conditions contained in the sales documentation shall apply.
- Subject to technical modifications.
- Further information:
  - Internet address: [www.ksr-kuebler.com](http://www.ksr-kuebler.com)
  - Relevant data sheet: HLS-M

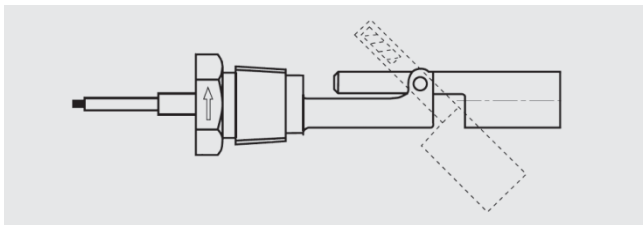
## 2. Design and function

### 2. Design and function

EN

#### 2.1 Description

The model HLS-M magnetic float switches are used for monitoring the levels of liquid media in vessels. These media must not have any large contamination or coarse particulates and must not have a tendency to crystallise.



The magnetic float switches have been developed for horizontal installation and operation. Through the magnetic field of a permanent magnet, when a preset switch point is reached an integrated reed contact is actuated. The permanent magnet is located in the lever of a float. This float changes its height with the level of the medium it is monitoring and, in doing so, moves the magnet into the switching range of the contact.

#### 2.2 Scope of delivery

Cross-check scope of delivery with delivery note.

## 3. Safety

### 3. Safety

#### 3.1 Explanation of symbols

EN



#### **WARNING!**

... indicates a potentially dangerous situation that can result in serious injury or death, if not avoided.



#### **Information**

... points out useful tips, recommendations and information for efficient and trouble-free operation.

#### 3.2 Intended use

The magnetic float switches should only be used for level control or monitoring of liquid media.

Its scope of application is defined by its technical performance limits and its materials. Improper use is defined as any application that exceeds the technical performance limits or is not compatible with the materials. Checking against improper use is the responsibility of the operator.

- The liquids must not have any large contamination or coarse particulates and must not have a tendency to crystallise. Ensure that the wetted materials of the switch are sufficiently resistant to the medium being monitored.
- This instrument is not permitted to be used in hazardous areas! Do not use in hazardous areas.
- The maximum power and voltage values as specified in the operating instructions should be adhered to.

## 3. Safety

EN

- Do not operate the instruments in the immediate vicinity of strong electromagnetic fields or in the immediate vicinity of equipment that can be affected by magnetic fields (min. clearance 1 m).
- The switch point of the instruments cannot be adjusted.
- The switches must not be exposed to heavy mechanical strain (impact, bending, vibration).

The instrument has been designed and built solely for the intended use described here, and may only be used accordingly.

The manufacturer shall not be liable for claims of any type based on operation contrary to the intended use.

### 3.3 Improper use



#### **WARNING!**

#### **Injuries through improper use**

Improper use of the instrument can lead to hazardous situations and injuries.

- ▶ Refrain from unauthorised modifications to the instrument.
- ▶ Do not use the instrument within hazardous areas.

Any use beyond or different to the intended use is considered as improper use.

Do not use this instrument in safety or emergency stop devices.

## 3. Safety

### 3.4 Responsibility of the operator

The instrument is used in the industrial sector. The operator is therefore responsible for legal obligations regarding safety at work.

EN

The safety instructions within these operating instructions, as well as the safety, accident prevention and environmental protection regulations for the application area must be maintained.

To ensure safe working on the instrument, the operating company must ensure

- that the operating personnel are regularly instructed in all topics regarding work safety, first aid and environmental protection and know the operating instructions and in particular, the safety instructions contained therein.
- that the instrument is suitable for the particular application in accordance with its intended use.

### 3.5 Personnel qualification



#### **WARNING!**

#### **Risk of injury should qualification be insufficient**

Improper handling can result in considerable injury and damage to equipment.

- ▶ The activities described in these operating instructions may only be carried out by skilled personnel who have the qualifications described below.

#### **Skilled personnel**

Skilled personnel, authorised by the operator, are understood to be personnel who, based on their technical training, knowledge of measurement and control technology and on their experience and knowledge of country-specific regulations, current standards and directives, are capable of carrying out the work described and independently recognising potential hazards.



## 4. Transport ... / 5. Commissioning, operation

### 4. Transport, packaging and storage

#### 4.1 Transport

Check the switch for any damage that may have been caused by transport.

Obvious damage must be reported immediately.

#### 4.2 Packaging and storage

Do not remove packaging until just before mounting.

#### Permissible conditions at the place of storage:

Storage temperature: 0 ... 70 °C

EN

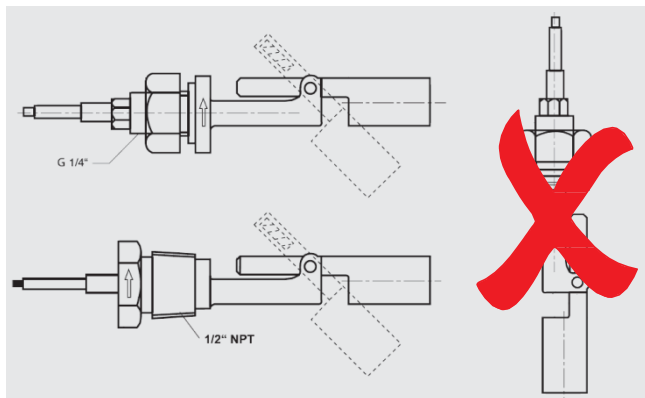
## 5. Commissioning, operation

### 5.1 Mounting

- The switch must not be operated in the direct vicinity of ferromagnetic environments or strong electromagnetic fields (min. distance 1 m).
- Before installation, it must be ensured that the mounting hole and the fixing device for the switches in the vessel are correct in size and dimension.
- The installation in the vessel, depending on the design, is made in a horizontal position and from outside to inside. The float is inserted from the outside, through the mounting hole, or from the inside (secured with a counter nut).

## 5. Commissioning, operation

EN



### WARNING!

**Risk of damage to the equipment due to the faulty switching operation of the reed contact**

When installed in a ferromagnetic fitting, the functionality of the switch is affected.

- ▶ Install the switch so that the float is located outside of the ferromagnetic fitting.

- The switches must not be exposed to heavy mechanical strain.

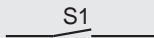
## 5. Commissioning, operation

EN

### 5.2 Electrical connection

- The electrical connection is made using 2 x 0.5 mm<sup>2</sup> PVC wires or rectangular connector EN 175301-803, 2-pin. The corresponding connection diagram is found below. The use of single wires is not permitted!

2 x 0.5 mm<sup>2</sup> PVC wires  
(models HLS-M11, HLS-M12,  
HLS-M21 HLS-M22)



Rectangular connector  
EN 175301-803 (model HLS-M23)



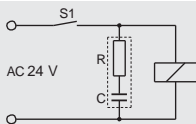
#### WARNING!

**Risk of destruction of the reed contact when using the switches with inductive or capacitive loads**

This can lead to a malfunction in the downstream control and thus lead to injury to personnel or damage to equipment.

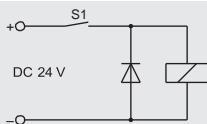
- ▶ With inductive loads, the switches should be protected by connection to an RC element (see “Protective RC modules”) or a free-wheeling diode.

#### Inductive load with AC voltage



RC modules depending on operating voltage, see table

#### Inductive load with DC voltage



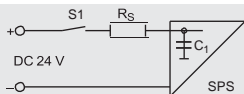
Shunt diode e. g. 1N4007

## 5. Commissioning, operation

- ▶ With capacitive loads, cable lengths greater than 50 m or the connection to a process control system with capacitive input, to limit the peak current, a protective resistance of  $47\ \Omega$  (with 25 VA contacts) should be connected in series.

EN

### Current limitation with capacitive loads, e.g. PLC's, PCS's and cable lengths > 50 m



$R_S = 47\ \Omega$  with contacts up to 25 VA  
 $C_1$  = internal capacitance

- ▶ The following maximum values for the switching power must be observed: 50 V AC; 25 VA; 0.5 A, 50 V DC; 25 W; 0.5 A
- ▶ An overloading of the switch can lead to the destruction of the integrated reed contact. This can lead to a malfunction in the downstream control and thus lead to injury to personnel or damage to equipment.
- ▶ With the switches, it is possible for the case to become live in the event of a malfunction. Any contact can result in physical or even fatal injury. These switch may only be operated on safety extra-low voltage in accordance with VDE0100 (e.g. contact protection relay) or must be fitted so that the switch is electrically connected to the equipotential bonding.

## 5. Commissioning, operation

EN

### Protective RC modules

RC modules are, depending on the operating voltage, to be used exclusively according to the following table:

Reed contacts from 10 ... 40 VA		
Capacitance	Resistance	Voltage
0.33 $\mu$ F	100 $\Omega$	AC 24 V
0.33 $\mu$ F	220 $\Omega$	AC 48 V

RC elements other than those specified here will lead to the destruction of the reed contact.

### 5.3 Functional check



The functional check serves to verify the fault-free functioning of the reed contacts.

#### Functional check prior to installation in the vessel

Before installation, the switch can be checked with a continuity tester or an ohmmeter.

1. Connect the cable ends to the continuity tester or the ohmmeter.
2. Lift the float and move it to the position of the switch point.  
Depending on the switching function, continuity or no continuity will be signalled.
3. Move the float back to its starting position. The switching function must operate in reverse.

#### Functional check on the installed magnetic switch

4. On installed switches a functional check can only be carried out from within the vessel
5. It is recommended to remove the switch and carry out the functional check on the removed switch
6. Disconnect the electrical connections
7. Remove the switch
8. Functional check as described in items 1 to 3
9. Install the switch in the vessel
10. Remake the electrical connection in accordance with the connection diagram

## 5. Commissioning, operation / 6. Faults



### WARNING!

During a functional check, it is possible to trigger unintentional process operations in the downstream control.

Risk of damage to equipment or injury to personnel.

- ▶ Disconnect the electrical connections beforehand

EN

## 6. Faults



The following table contains the most frequent causes of faults and the necessary countermeasures.

Faults	Causes	Measures
No or undefined switching function	Incorrect connection of the cables	Comparison with connection diagram
	Reed contact defective through mechanical vibration	Return to the manufacturer
Switch cannot be secured to the planned point on the vessel	Process connections of the switch and the vessel do not match	Modification of the vessel
		Modification of the switch by the manufacturer

### 7. Maintenance and cleaning



For contact details, please see chapter 1 “General information” or the back page of the operating instructions.

#### 7.1 Maintenance

The magnetic float switches work maintenance-free in normal operation. They must undergo a visual inspection within the context of regular servicing, however, and be included in the vessel pressure test.

Repairs must only be carried out by the manufacturer.

#### 7.2 Cleaning



##### **CAUTION!**

##### **Physical injuries and damage to property and the environment**

Improper cleaning may lead to physical injuries and damage to property and the environment. Residual media in the dismantled instrument can result in a risk to personnel, the environment and equipment.

- Rinse or clean the removed instrument.



##### **CAUTION!**

##### **Damage to property**

Improper cleaning may lead to damage to the instrument!

- Do not use any aggressive cleaning agents.
- Do not use any pointed and hard objects for cleaning.

## 8. Dismounting return and disposal

### 8. Dismounting, return and disposal

EN



#### **WARNING!**

**Physical injuries and damage to property and the environment through residual media**

Residual media in the dismantled instrument can result in a risk to personnel, the environment and equipment.

- Wash or clean the dismantled instrument, in order to protect personnel and the environment from exposure to residual media.

#### **8.1 Dismounting**

Only disconnect the measuring instrument once the system has been depressurised and the power disconnected!

If necessary, the measuring line must have strain relief.

#### **8.2 Return**

Wash or clean the dismantled switch before returning it, in order to protect personnel and the environment from exposure to residual media.



Information on returns can be found under the heading "Service" on our local website.

#### **8.3 Disposal**

Incorrect disposal can put the environment at risk.

Dispose of instrument components and packaging materials in an environmentally compatible way and in accordance with the country-specific waste disposal regulations.



## 9. Specifications

### 9. Specifications

EN

#### Switching power

Normally open contact (can be used as normally closed contact by a 180° rotation)

AC 50 V; 25 VA; 0.5 A

DC 50 V; 25 W; 0.5 A

#### Max. operating pressure

- Polypropylene version: 1 bar
- Stainless steel version: 5 bar

#### Max. operating temperature

- Polypropylene version: -10 ... +80 °C
- Stainless steel version: -40 ... +120 °C

Float switch model	Version	Installation	Electrical connection
HLS-M11	Polypropylene	from inside	Cable
HLS-M12	Polypropylene	from outside	Cable
HLS-M21	Stainless steel 1.4301	from inside	Cable
HLS-M22	Stainless steel 1.4301	from outside	Cable
HLS-M23	Stainless steel 1.4301	from outside	Connector

For further specifications see data sheet LM 30.06 and the order documentation.

EG - Konformitätserklärung  
EC Declaration of Conformity



Wir / We

**KSR KUEBLER NIVEAU-MESSTECHNIK AG**  
Heinrich-Kuebler-Platz 1  
69439 Zwingenberg / Germany

erklären hiermit, dass die nachfolgende Produktserie /  
*herewith declare, that the following product series*

**Horizontal-Schwimmerschalter HLS-M /**  
***Horizontal Level Switch HLS-M***

den Anforderungen der EU-Richtlinien **2004/108/EG** (Elektromagnetische  
Verträglichkeit, EMV) entspricht. /  
*are in conformity with the following harmonised EC-directive 2004/108/EC*  
*(electromagnetic compatibility, EMC).*

Zur Beurteilung wurden folgende harmonisierte Normen angewandt: /  
*To assess compliance the following harmonised standards were applied:*

**EN 61000-6-4**  
**EN 61000-6-2**

Zwingenberg, 03.04.2014

Kurt Rexroth  
Technischer Leiter / *Technical Director*



KSR KUEBLER NIVEAU-MESSTECHNIK AG  
Im Kueblerfeld 17, 69439 Zwingenberg

Telefon: +49 (0) 6263-67-0  
Telefax: +49 (0) 6263-67-99

E-mail: [info@ksr-kuebler.com](mailto:info@ksr-kuebler.com)  
Homepage: [www.ksr-kuebler.com](http://www.ksr-kuebler.com)



# Inhalt

<b>1. Allgemeines</b>	<b>20</b>
<b>2. Aufbau und Funktion</b>	<b>21</b>
<b>3. Sicherheit</b>	<b>22</b>
<b>4. Transport, Verpackung und Lagerung</b>	<b>25</b>
<b>5. Inbetriebnahme, Betrieb</b>	<b>25</b>
<b>6. Störungen</b>	<b>30</b>
<b>7. Wartung und Reinigung</b>	<b>31</b>
<b>8. Demontage, Rücksendung und Entsorgung</b>	<b>32</b>
<b>9. Technische Daten</b>	<b>33</b>
<b>Anlage: EG-Konformitätserklärung</b>	<b>34</b>

## 1. Allgemeines

- Der in der Betriebsanleitung beschriebene Schwimmer-Magnetschalter wird nach dem aktuellen Stand der Technik konstruiert und gefertigt. Alle Komponenten unterliegen während der Fertigung strengen Qualitäts- und Umweltkriterien. Unsere Managementsysteme sind nach ISO 9001 und ISO 14001 zertifiziert.
- Diese Betriebsanleitung gibt wichtige Hinweise zum Umgang mit dem Gerät. Voraussetzung für sicheres Arbeiten ist die Einhaltung aller angegebenen Sicherheitshinweise und Handlungsanweisungen.
- Die für den Einsatzbereich des Gerätes geltenden örtlichen Unfallverhütungsvorschriften und allgemeinen Sicherheitsbestimmungen einhalten.
- Die Betriebsanleitung ist Produktbestandteil und muss in unmittelbarer Nähe des Gerätes für das Fachpersonal jederzeit zugänglich aufbewahrt werden. Betriebsanleitung an nachfolgende Benutzer oder Besitzer des Gerätes weitergeben.
- Das Fachpersonal muss die Betriebsanleitung vor Beginn aller Arbeiten sorgfältig durchgelesen und verstanden haben.
- Es gelten die allgemeinen Geschäftsbedingungen in den Verkaufsunterlagen.
- Technische Änderungen vorbehalten.
- Weitere Informationen:
  - Internet-Adresse: [www.ksr-kuebler.com](http://www.ksr-kuebler.com)
  - Zugehöriges Datenblatt: HLS-M

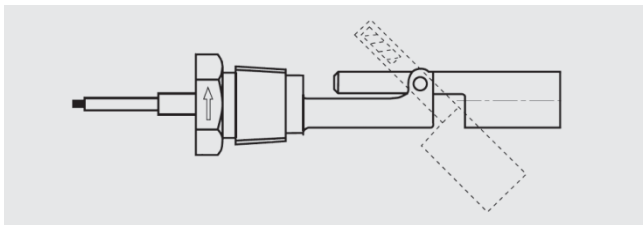
## 2. Aufbau und Funktion

### 2. Aufbau und Funktion

#### 2.1 Beschreibung

Die Schwimmer-Magnetschalter Typ HLS-M dienen der Füllstandsüberwachung in Behältern mit flüssigen Medien. Diese Medien dürfen keine starken Verschmutzungen oder Grobteile aufweisen und nicht zum Auskristallisieren neigen.

DE



Die Schwimmer-Magnetschalter sind für horizontalen Einbau und Betrieb entwickelte Schalter. Durch das Magnetfeld eines Permanentmagneten wird bei Erreichen eines vorgegebenen Schaltpunktes ein eingebauter Reedkontakt betätigt. Der Permanentmagnet befindet sich in der Verlängerung eines Schwimmers. Dieser Schwimmer ändert seine Höhenlage mit dem Pegel des zu überwachenden Mediums und bewegt hierdurch den Magnet in den Schaltbereich des Kontaktes.

#### 2.2 Lieferumfang

Lieferumfang mit dem Lieferschein abgleichen.

### 3. Sicherheit

#### 3.1 Symbolerklärung



#### **WARNUNG!**

... weist auf eine möglicherweise gefährliche Situation hin, die zum Tod oder zu schweren Verletzungen führen kann, wenn sie nicht gemieden wird.



#### **Information**

... hebt nützliche Tipps und Empfehlungen sowie Informationen für einen effizienten und störungsfreien Betrieb hervor.

#### 3.2 Bestimmungsgemäße Verwendung

Die Schwimmer-Magnetschalter sind ausschließlich zur Füllstandssteuerung bzw. -überwachung von flüssigen Medien zu verwenden. Sein Einsatzbereich ergibt sich aus seinen technischen Leistungsgrenzen und Werkstoffen. Als Fehlgebrauch gilt jede Verwendung, die die technischen Leistungsgrenzen überschreitet oder mit den Werkstoffen unverträglich ist. Eine Prüfung auf Fehlgebrauch obliegt dem Betreiber.

- Die Flüssigkeiten dürfen keine starke Verschmutzungen oder Grobteile aufweisen und nicht zum Auskristallisieren neigen. Es ist sicherzustellen, dass die medienberührenden Werkstoffe des Schalters gegen das zu überwachende Medium ausreichend beständig sind.
- Dieses Gerät ist nicht für den Einsatz in explosionsgefährdeten Bereichen zugelassen! Nicht im Ex-Bereich einsetzen.
- Die in der Betriebsanleitung angegebenen maximalen Strom- und Spannungswerte sind einzuhalten.

## 3. Sicherheit

- Geräte nicht in unmittelbarer Nähe von starken elektromagnetischen Feldern bzw. in unmittelbarer Nähe von Einrichtungen betreiben, die durch Magnetfelder beeinflusst werden können (Abstand min. 1 m).
- Der Schalterpunkt der Geräte kann nicht verstellt werden.
- Die Schalter dürfen keinen starken mechanischen Belastungen (Stoß, Verbiegen, Vibrationen) ausgesetzt werden.

DE

Das Gerät ist ausschließlich für den hier beschriebenen bestimmungsgemäßen Verwendungszweck konzipiert und konstruiert und darf nur dementsprechend verwendet werden.

Ansprüche jeglicher Art aufgrund von nicht bestimmungsgemäßer Verwendung sind ausgeschlossen.

### 3.3 Fehlgebrauch



#### **WARNUNG!**

#### **Verletzungen durch Fehlgebrauch**

- Fehlgebrauch des Gerätes kann zu gefährlichen Situationen und Verletzungen führen.
- ▶ Eigenmächtige Umbauten am Gerät unterlassen.
  - ▶ Gerät nicht in explosionsgefährdeten Bereichen einsetzen.

Jede über die bestimmungsgemäße Verwendung hinausgehende oder andersartige Benutzung gilt als Fehlgebrauch.

Dieses Gerät nicht in Sicherheits- oder in Not-Aus-Einrichtungen benutzen.

## 3. Sicherheit

### 3.4 Verantwortung des Betreibers

Das Gerät wird im gewerblichen Bereich eingesetzt. Der Betreiber unterliegt daher den gesetzlichen Pflichten zur Arbeitssicherheit.

Die Sicherheitshinweise dieser Betriebsanleitung, sowie die für den Einsatzbereich des Gerätes gültigen Sicherheits-, Unfallverhütungs- und Umweltschutzvorschriften einhalten.

Für ein sicheres Arbeiten am Gerät muss der Betreiber sicherstellen,

- dass das Bedienpersonal regelmäßig in allen zutreffenden Fragen von Arbeitssicherheit, Erste Hilfe und Umweltschutz unterwiesen wird, sowie die Betriebsanleitung und insbesondere die darin enthaltenen Sicherheitshinweise kennt.
- dass das Gerät gemäß der bestimmungsgemäßen Verwendung für den Anwendungsfall geeignet ist.

### 3.5 Personalqualifikation



#### **WARNUNG!**

#### **Verletzungsgefahr bei unzureichender Qualifikation**

Unsachgemäßer Umgang kann zu erheblichen Personen- und Sachschäden führen.

- ▶ Die in dieser Betriebsanleitung beschriebenen Tätigkeiten nur durch Fachpersonal nachfolgend beschriebener Qualifikation durchführen lassen.

#### **Fachpersonal**

Das vom Betreiber autorisierte Fachpersonal ist aufgrund seiner fachlichen Ausbildung, seiner Kenntnisse der Mess- und Regelungstechnik und seiner Erfahrungen sowie Kenntnis der landesspezifischen Vorschriften, geltenden Normen und Richtlinien in der Lage, die beschriebenen Arbeiten auszuführen und mögliche Gefahren selbstständig zu erkennen.



### 4. Transport, Verpackung und Lagerung

#### 4.1 Transport

Schalter auf eventuell vorhandene Transportschäden untersuchen.  
Offensichtliche Schäden unverzüglich mitteilen.

#### 4.2 Verpackung und Lagerung

Verpackung erst unmittelbar vor der Montage entfernen.

#### Zulässige Bedingungen am Lagerort:

Lagertemperatur: 0 ... 70 °C

DE

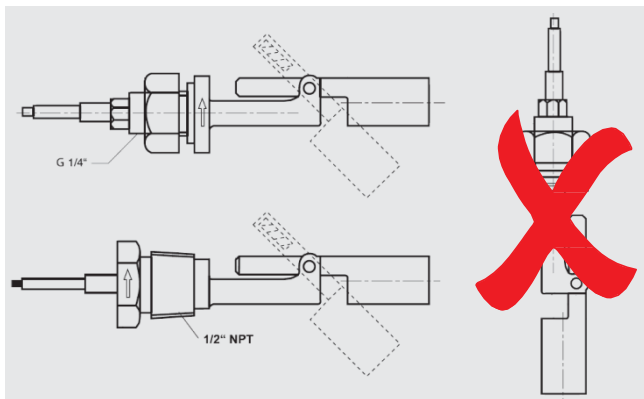
### 5. Inbetriebnahme, Betrieb

#### 5.1 Montage

- Schalter nicht in unmittelbarer Nähe ferromagnetischer Umgebung oder starker elektromagnetischer Felder betreiben (Abstand min. 1 m).
- Vor dem Einbau ist sicherzustellen, dass die im Behälter angebrachte Einbauöffnung und die Befestigungsvorrichtung der Schalter in Größe und Dimensionierung übereinstimmen.
- Der Einbau in den Behälter erfolgt je nach Ausführung in horizontaler Position von außen oder innen. Der Schwimmer ist von außen durch die Einbauöffnung des Behälters einzuführen bzw. von innen (Befestigung mit Kontermutter).

## 5. Inbetriebnahme, Betrieb

DE



### **WARNUNG!**

#### **Gefahr von Sachschäden durch fehlerhaftes Schaltverhalten des Reedkontaktes**

Beim Einbau in ferromagnetische Stutzen wird die Funktionsfähigkeit des Schalters beeinträchtigt.

- ▶ Schalter so einbauen, dass sich der Schwimmer außerhalb eines ferromagnetischen Stutzens befindet.

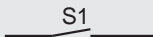
- Die Schalter dürfen keinen starken mechanischen Belastungen ausgesetzt werden.

## 5. Inbetriebnahme, Betrieb

### 5.2 Elektrischer Anschluss

- Der elektrische Anschluss der Schalter erfolgt über 2 x 0,5 mm<sup>2</sup> PVC-Litzen oder Rechtecksteckverbinder EN 175301-803, 2-polig. Das jeweilige Anschlussschema ist unten dargestellt. Die Verwendung einzelner Litzen ist nicht zulässig!

2 x 0,5 mm<sup>2</sup> PVC-Litzen  
(Typen HLS-M11, HLS-M12,  
HLS-M21 HLS-M22)



Rechtecksteckverbinder  
EN 175301-803 (Typ HLS-M23)



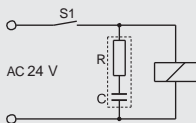
#### WARNUNG!

**Gefahr der Zerstörung des Reedkontaktes bei Betrieb der Schalter an induktiver oder kapazitiver Last**

Dies kann zu einer Fehlfunktion der nachgeschalteten Steuerung und zu Personen- oder Sachschäden führen.

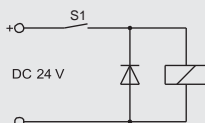
- Bei induktiver Belastung sind die Schalter durch Beschaltung mit einem RC-Glied (siehe „RC-Glieder zur Schutzbeschaltung“) bzw. einer Freilaufdiode zu schützen.

#### Induktive Last an Wechselspannung



RC-Glieder je nach Betriebsspannung,  
siehe Tabelle

#### Induktive Last an Gleichspannung



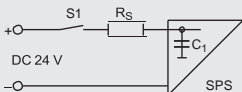
Freilaufdiode z. B. 1N4007

## 5. Inbetriebnahme, Betrieb

- ▶ Bei kapazitiver Belastung, Leitungslängen über 50 m oder dem Anschluss an Prozessleitsystemen mit kapazitivem Eingang ist zur Begrenzung des Spitzenstromes ein Schutzwiderstand von  $47 \Omega$  (bei 25-VA-Kontakten) in Serie zu schalten.

DE

### Strombegrenzung bei kapazitiver Last z. B. SPS, PLS und Leitungen > 50 m



$R_S = 47 \Omega$  bei Kontakten bis 25 VA  
 $C_1$  = innere Kapazität

- ▶ Folgende Maximalwerte für die Schaltleistung sind einzuhalten: AC 50 V; 25 VA; 0,5 A, DC 50 V; 25 W; 0,5 A
- ▶ Eine Überlastung des Schalters kann eine Zerstörung des eingebauten Reedkontaktes zur Folge haben. Dies kann zu einer Fehlfunktion der nachgeschalteten Steuerung und zu Personen- oder Sachschäden führen.
- ▶ Bei den Schaltern kann das Gehäuse im Fehlerfall spannungsführend sein. Bei Berührung können schwere Körperschäden oder tödliche Verletzungen auftreten. Diese Schalter dürfen nur an Schutzkleinspannung nach VDE0100 betrieben werden (z. B. an Kontaktschutzrelais) oder sind so zu montieren, dass der Schalter mit dem Potentialausgleich elektrisch verbunden ist.

## 5. Inbetriebnahme, Betrieb

### RC-Glieder zur Schutzbeschaltung

RC-Glieder sind, je nach Betriebsspannung, ausschließlich entsprechend folgender Tabelle zu verwenden:

Reedkontakte von 10 ... 40 VA		
Kapazität	Widerstand	Spannung
0,33 $\mu$ F	100 $\Omega$	AC 24 V
0,33 $\mu$ F	220 $\Omega$	AC 48 V

Andere als die hier aufgeführten RC-Glieder führen zur Zerstörung des Reedkontakts.

### 5.3 Funktionsprüfung



Die Funktionsprüfung dient der Feststellung der einwandfreien Funktion der Reedkontakte.

#### Funktionsprüfung vor dem Einbau in den Behälter

Vor dem Einbau kann der Schalter mit einem Durchgangsprüfer oder einem Ohmmeter überprüft werden.

1. Die Kabelenden an den Durchgangsprüfer bzw. das Ohmmeter anschließen.
2. Schwimmer anheben und auf die Position des Schaltpunktes bewegen. Je nach Schaltfunktion wird Durchgang oder kein Durchgang signalisiert.
3. Schwimmer in Ausgangslage zurückbewegen. Die Schaltfunktion muss sich umkehren.

#### Funktionsprüfung am eingebauten Magnetschalter

4. An eingebauten Schaltern kann eine Funktionsprüfung nur vom Inneren des Behälters aus durchgeführt werden
5. Es wird empfohlen den Schalter auszubauen und am ausgebauten Schalter die Funktionsprüfung durchzuführen
6. Elektrische Anschlüsse entfernen
7. Schalter ausbauen
8. Funktionsprüfung wie in Punkt 1 bis 3 beschrieben
9. Schalter in Behälter einbauen
10. Elektrische Verbindung wieder gemäß jeweiligem Anschlussschema herstellen

## 5. Inbetriebnahme, Betrieb / 6. Störungen



### WARNUNG!

Bei der Funktionsprüfung können unbeabsichtigte Prozessvorgänge in der nachfolgenden Steuerung ausgelöst werden.

Gefahr von Sach- oder Personenschäden.

- ▶ Elektrische Anschlüsse vorher entfernen

DE

## 6. Störungen



In der folgenden Tabelle sind die häufigsten Fehlerursachen und die erforderlichen Gegenmaßnahmen aufgeführt.

Störungen	Ursachen	Maßnahmen
Keine oder undefinierte Schaltfunktion	Falscher Anschluss der Kabel	Vergleich mit Anschlussbild
	Reedkontakt durch mechanische Erschütterung defekt	Rücksendung an den Hersteller
Schalter lässt sich nicht an der vorgesehenen Stelle im Behälter befestigen	Prozessanschluss von Schalter und Behälter stimmen nicht überein	Umbau des Behälters
		Umbau des Schalters beim Hersteller

### 7. Wartung und Reinigung



Kontaktaten siehe Kapitel 1 „Allgemeines“ oder Rückseite der Betriebsanleitung.

DE

#### 7.1 Wartung

Die Schwimmer-Magnetschalter arbeiten bei bestimmungsgemäßem Gebrauch wartungsfrei. Sie sind jedoch im Rahmen der regelmäßigen Revision einer Sichtkontrolle zu unterziehen und in die Druckprüfung des Behälters mit einzubeziehen.

Reparaturen sind ausschließlich vom Hersteller durchzuführen.

#### 7.2 Reinigung



##### **VORSICHT!**

##### **Körperverletzungen, Sach- und Umweltschäden**

Eine unsachgemäße Reinigung führt zu Körperverletzungen, Sach- und Umweltschäden. Messstoffreste im ausgebauten Gerät können zur Gefährdung von Personen, Umwelt und Einrichtung führen.

- Ausgebautes Gerät spülen bzw. säubern.



##### **VORSICHT!**

##### **Sachbeschädigung**

Eine unsachgemäße Reinigung führt zur Beschädigung des Gerätes!

- Keine aggressiven Reinigungsmittel verwenden.
- Keine harten und spitzen Gegenstände zur Reinigung verwenden.

### 8. Demontage, Rücksendung und Entsorgung



#### **WARNUNG!**

#### **Körperverletzungen, Sach- und Umweltschäden durch Messstoffreste**

Messstoffreste im ausgebauten Gerät können zur Gefährdung von Personen, Umwelt und Einrichtung führen.

- Ausgebautes Gerät spülen bzw. säubern, um Personen und Umwelt vor Gefährdung durch anhaftende Messstoffreste zu schützen.

DE

#### 8.1 Demontage

Messgerät nur im drucklosen und spannungsfreiem Zustand demontieren!  
Gegebenenfalls muss die Messleitung entspannt werden.

#### 8.2 Rücksendung

Ausgebauten Schalter vor der Rücksendung spülen bzw. säubern, um Mitarbeiter und Umwelt vor Gefährdung durch anhaftende Messstoffreste zu schützen.



Hinweise zur Rücksendung befinden sich in der Rubrik „Service“ auf unserer lokalen Internetseite.

#### 8.3 Entsorgung

Durch falsche Entsorgung können Gefahren für die Umwelt entstehen.

Gerätekomponenten und Verpackungsmaterialien entsprechend den landesspezifischen Abfallbehandlungs- und Entsorgungsvorschriften umweltgerecht entsorgen.



## 9. Technische Daten

### 9. Technische Daten

#### Schaltleistung

Schließer (durch 180°-Drehung als Öffner einsetzbar)

AC 50 V; 25 VA; 0,5 A

DC 50 V; 25 W; 0,5 A

DE

#### Max. Betriebsdruck

- Polypropylen-Ausführung: 1 bar
- CrNi-Stahl-Ausführung: 5 bar

#### Max. Betriebstemperatur

- Polypropylen-Ausführung: -10 ... +80 °C
- CrNi-Stahl-Ausführung: -40 ... +120 °C

Schwimmer-schaltertyp	Ausführung	Einbau	Elektrischer Anschluss
HLS-M11	Polypropylen	von innen	Kabel
HLS-M12	Polypropylen	von außen	Kabel
HLS-M21	CrNi-Stahl 1.4301	von innen	Kabel
HLS-M22	CrNi-Stahl 1.4301	von außen	Kabel
HLS-M23	CrNi-Stahl 1.4301	von außen	Stecker

Weitere technische Daten siehe Datenblatt LM 30.06 und Bestellunterlagen.



# Anlage: EG-Konformitätserklärung

EG - Konformitätserklärung  
EC Declaration of Conformity



Wir / We

**KSR KUEBLER NIVEAU-MESSTECHNIK AG**  
Heinrich-Kuebler-Platz 1  
69439 Zwingenberg / Germany

erklären hiermit, dass die nachfolgende Produktserie /  
herewith declare, that the following product series

**Horizontal-Schwimmerschalter HLS-M /**  
**Horizontal Level Switch HLS-M**

den Anforderungen der EU-Richtlinien **2004/108/EG** (Elektromagnetische  
Verträglichkeit, EMV) entspricht. /  
are in conformity with the following harmonised EC-directive **2004/108/EC**  
(electromagnetic compatibility, EMC).

Zur Beurteilung wurden folgende harmonisierte Normen angewandt: /  
To assess compliance the following harmonised standards were applied:

**EN 61000-6-4**  
**EN 61000-6-2**

Zwingenberg, 03.04.2014

Kurt Rexroth  
Technischer Leiter / Technical Director



KSR KUEBLER NIVEAU-MESSTECHNIK AG  
Im Kohlsattelried 17, 69439 Zwingenberg

Telefon: +49 (0) 6263-87-0  
Telefax: +49 (0) 6263-87-99

E-mail: info@ksr-kuebler.com  
Homepage: www.ksr-kuebler.com





**KSR KUEBLER Niveau-  
Messtechnik AG**

Heinrich-Kuebler-Platz 1  
69439 Zwingenberg am Neckar  
Germany  
Tel +49 6263 87-0  
Fax +49 6263/87-99  
E-Mail: [info@ksr-kuebler.com](mailto:info@ksr-kuebler.com)  
[www.ksr-kuebler.com](http://www.ksr-kuebler.com)



**WIKA Alexander Wiegand SE &  
Co. KG**

Alexander-Wiegand-Straße 30  
63911 Klingenberg  
Germany  
Tel +49 93 72/132-0  
Fax +49 93 72/132-406  
E-Mail: [info@wika.de](mailto:info@wika.de)  
[www.wika.de](http://www.wika.de)