



# Sprinkler Flexible Hose

Paratech builds the reliability, we guarantee

# Sprinkler Joint



## Sprinkler Flexible Hose with Fittings

Paratech SP-Joint has acquired International Authentications of UL/FM/LPCB with excellent durability and corrosion resistance. It also designed for easy installation at any space.

### ■ SP-Joint Specification

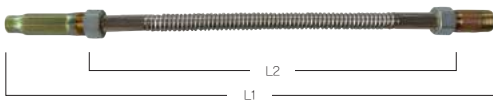
#### 1. Braided Type

- Pipe external diameter Ø25, Ø28 2 types (BSS, BSSN, BASN)

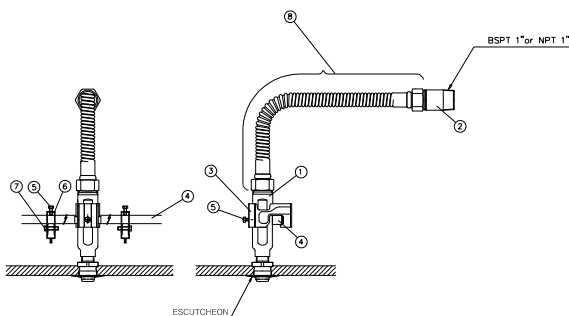


#### 2. Unbraided Type

- Pipe external diameter Ø25, Ø28 2 types (USS, USS, USSN, UASN)



### 3. Assembly Diagram



### ■ Models

Model	Specification	Approved
BSS/BSSV	Braided Straight Ø25	UL
BSSN/BSSNV	Braided Straight Ø28	FM
BASN/BASNV	Braided Angle Ø28	FM
USS	Unbraided Straight Ø25	UL
USS/USSV	Unbraided Straight Ø25	UL
USSN/USSNV	Unbraided Straight Ø28	LPCB
UASN/UASNV	Unbraided Angle Ø28	LPCB

### ■ Dimension

Class	L1	L2
Type 700	675(700)	510
Type 1000	975(1000)	810
Type 1200	1175(1200)	1010
Type 1500	1475(1500)	1310
Type 1800	1775(1800)	1610

\* ( ) = Total Length of xxxV Model

### ■ Parts List

No	Part Name	Material	Quantity
1	Angle Pipe(Straight)	SPPS	1
2	Nipple	SPPS	1
3	Center Bracket	SPC	1
4	Square Bar	SS400	1
5	Fixing Bolt 1	SS400	3
6	Side Bracket	SPC	2
7	Fixing Bolt 2	SS400	2
8	SP-Joint	STS304	1

Paratech builds the reliability, we guarantee



## Residential Sprinkler Flexible Hose

### Features

- Convenient on-site installation without complex screw threading or size adjustment.
- Excellent installability even for low and complex ceiling space, resulting in labor cost savings.
- Assembly structure of bracket and nipple is screw-controlled, leading to safe, agile and easy installation and adjustment.
- Residential ceiling space can be saved by half compared to the conventional piping, leading to the differentiated apartment through the implementation of low-profile story-height. (Minimum space required : 150mm)

### Models & Dimension

Model	L(MM)
FPSJ-BASNA-700	590±20
FPSJ-BASNA-1000	890±20
FPSJ-BASNA-1200	1090±20
FPSJ-BASNA-1500	1390±20
FPSJ-BASNA-1800	1690±20

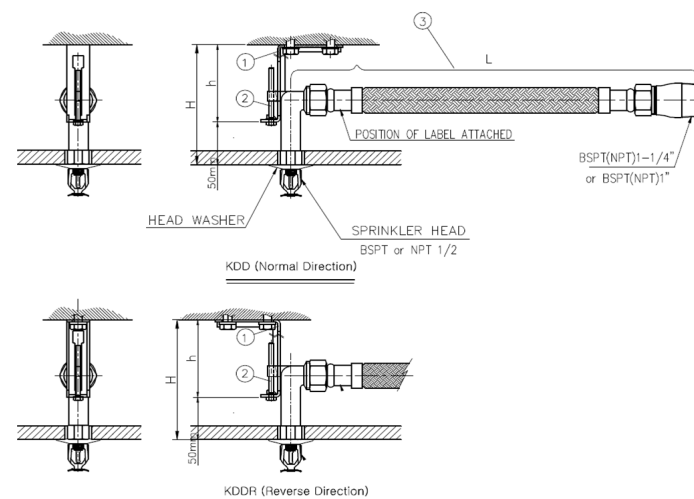
### Bracket Dimension

Model	H	Adjustable Range	L(mm)
KDD/KDDR	200±50(150-250)	±50	150

### Parts List

No.	Part Name	Material	Q'ty
1	Bracket	SPCC	1
2	Setting Bolt	M6x115L	1
3	SP-Joint (90°)	-	1

### Assembly Diagram



# Sprinkler Joint

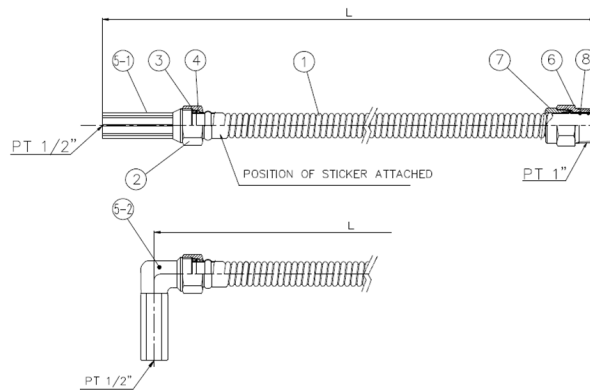
## Japan FESC Sprinkler Flexible Hose

### Features

- Applied Seamless Reducing Nipple to increase corrosion resistance
- New Model JXFL2 material : SUS316
- Excellent installability by Free Nipple for all length 700~3650 resulting labor cost savings.
- 90° Reducing Nipple for for low and complex ceiling spaces
- Approved for Wet, Dry, Pre-Action System (FESC Standards)



### ■ Assembly Diagram



### ■ Specification

Connection Screw Size	25A
Max. Pressure	1.4MPa
Hyrostatic Test Pressure	2.0MPa

### ■ Dimension

Model	L(mm)	
	Str.	90° Deg
PDS-JXFL2-700	700 (+20,-10)	625 (+20,-10)
PDS-JXFL2-1000	1000 (+20,-10)	925 (+20,-10)
PDS-JXFL2-1450	1450 (+20,-10)	1375 (+20,-10)
PDS-JXFL2-1950	1950 (+20,-10)	1875 (+20,-10)
PDS-JXFL2-2500	2500 (+20,-10)	2425 (+20,-10)
PDS-JXFL2-3100	3100 (+20,-10)	3025 (+20,-10)
PDS-JXFL2-3650	3650 (+20,-10)	3575 (+20,-10)
PDS-JXFL2-3950	3650 (+20,-10)	3875 (+20,-10)

### ■ Parts List

No.	Part Name	Material	Q'ty
1	Flexible Tube	SUS316, 304	1
2	Slip Nup	S20C	1
3	O-Ring	EPDM	1
4	Insulation Collar	66Nylon	3
5	Reducing Nipple	SPPS	1
6	Nipple	SPPS	1
7	Stopper	SPPS	1
8	O-Ring	EPDM	2
9	Label	-	1

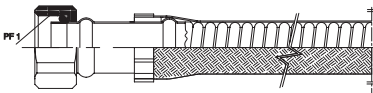
Paratech builds the reliability, we guarantee



## Sprinkler Flexible Hose

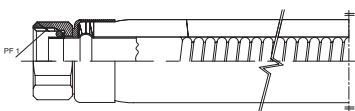
SP-Joint is designed for easy and fast installation to the small space by improving piping works and for precise Sprinkler height adjustment.

### Braided Type



Flexible part is covered with braid for better pressure resistance, tensile strength and tube surface protection.

### Insulated Type



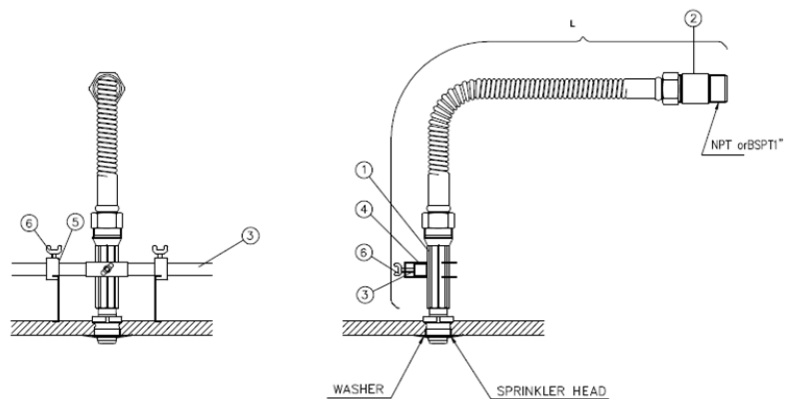
Flexible part is pre-insulated to save insulation time when installation.



### ■ Specification

Product name	Braided Type	Unbraided Type	Insulated Type
Model No.	FPSJ-JxB	FPSJ-JxU	FPSJ-JxUH
Connection Screw Size	25A		
Max. Pressure	1.4MPa		
Hydrostatic Test Pressure	2.0MPa		

### ■ Assembly Diagram



### ■ Length

L	700	100	1200	1500	1800	2100	2500	2800	3100
---	-----	-----	------	------	------	------	------	------	------

※ The length deviation is +30mm/-10mm

The hose length without nipple is 140mm less than the length described above.

# Sprinkler Joint

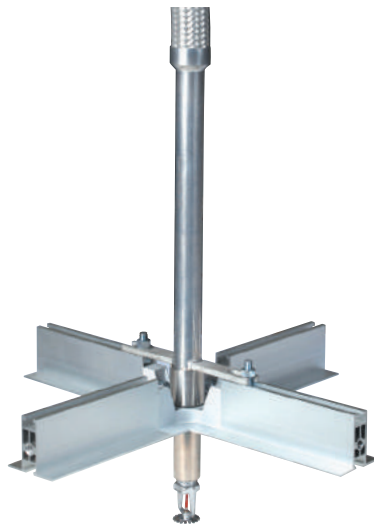


A or C      D ~ M

## SFT(Sprinkler Flexible Tube)

### Models & Dimension

Model	Fixing	Application	Threads of Outlet	Length(mm)	Main Pipe Connection	
SFT-A	Panel Type	Commercial Ceiling	1/2	1000~1800	Slip Nut(STS304)	
SFT-C			1/2	1000~1800	Welding(STS304)	
SFT-G			1/2	500~1800	Slip Nut(STS304)	
SFT-G10			3/4	500~1800	Slip Nut(STS304)	
SFT-G2			1/2	500~1800	Slip Nut(S20C)	
SFT-G11			3/4	500~1800	Slip Nut(S20C)	
SFT-H			1/2	500~1800	Welding(STS304)	
SFT-H10			3/4	500~1800	Welding(STS304)	
SFT-D	Mould Bar Type	Clean Room	1/2	1000~1800	Welding(STS304)	
SFT-D10			3/4	1000~1800	Welding(STS304)	
SFT-E			1/2	1000~1800	Slip Nut(STS304)	
SFT-E10			3/4	1000~1800	Slip Nut(STS304)	
SFT-M			1/2	1000~1800	Slip Nut(S20C)	
SFT-M10			3/4	1000~1800	Slip Nut(S20C)	
SFT-N	Block Type	Duct	Circular Type	1/2	1000~1800	Welding(STS304)
			Square Type			
SFT-O			Circular Type	1/2	1000~1800	Slip Nut(STS304)
			Square Type			
SFT-O1			Circular Type	1/2	1000~1800	Slip Nut(S20C)
	Square Type					



D ~ M



Main Pipe Connection : Slip Nut + Nipple Type



Main Pipe Connection : Welding Type

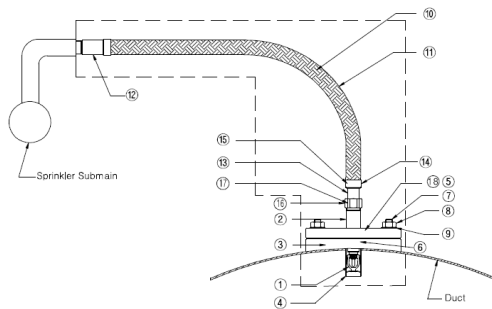




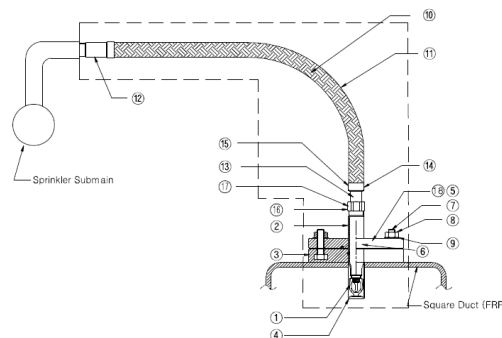
Paratech builds the reliability, we guarantee



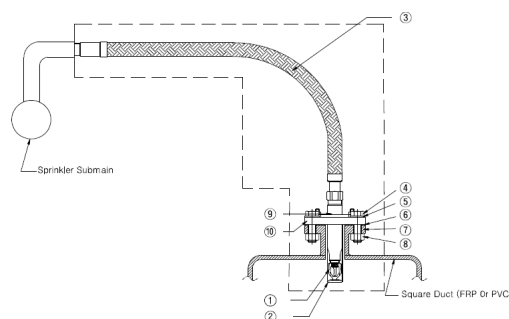
**SFT-N Installation Diagram  
(Circular Fume Duct)–FRP Mount Type**



**SFT-N Installation Diagram  
(Square Fume Duct)–FRP Mount Type**



**SFT-N Installation Diagram  
(Square Fume Duct)–FRP or PVC Mount Type**



■ Parts List

No	Part Name	Material	Q'NTY
1	Glass SPH	–	–
2	Mounting Pipe	STS304	1
3	Mounting Block	FRP	1
4	Poly Bag	LDPE	1
5	O-Ring	EPDM	1
6	O-Ring	EPDM	1
7	Bolt	STS304	4
8	Nut	STS304	4
9	Plain Washer	STS304	4
10	Bellows Tube	STS304	1
11	Braid	STS304	1
12	Nipple	STS304	1
13	Connecting Nipple	STS304	1
14	Cover Ring	STS304	2
15	Aux.Pipe	SRS304	1
16	Slip Nut	STS304	1
17	O-Ring	EPDM	1
18	Mount	FRP	1

■ Parts List

No	Part Name	Material	Q'NTY
1	Glass SPH	–	–
2	Poly Bag	LDPE	1
3	SFT Assembly	STS304	1
4	Bolt	STS304	4
5	Plain Washer	STS304	4
6	Teflon Gasket	Teflon	1
7	Flange	STS304	4
8	Nut	STS304	4
9	Mounting Pipe	STS304	1
10	Mounting Block	STS304/PVC	1

**⚠ Warning Cautions for SP-Joint Handling**

1. Use insulated tube, if there exist a freeze risk, to prevent pipe breakage
2. Align tubes when installation not to damage tube by bumping each other
3. Be careful welding spark not to make a hole on tube
4. Do not connect earth-wire to tube not to be resulted in a hole by welding sparks
5. Do not bend harsh but bend U shape smoothly not to break tube.
6. Do not tighten slip-nut or reducing-nipple too much not to break O-ring and to result in water leak.
7. Make sure PF side of nipple must be connected to O-ring, otherwise (if PT side connected to O-ring) water leak may happen

# PARATECH

## **Headquarters · Factory**

30-21, Gilju-Ro 425 Beon-Gil, Wonmi Gu,  
Bucheon Si, Kyoungki Do, Korea  
TEL : +82-32-675-2288(Rep.)  
FAX : +82-32-675-6297

## **Seoul Office**

8, Uisadang-Daero,  
Yeongdeungpo-Gu, Seoul, Korea  
TEL : +82-2-745-2300(Rep.)  
FAX : +82-2-3785-0093(International Business Team)  
Home Page : [www.paratech.co.kr](http://www.paratech.co.kr)  
[www.fesco.co.kr](http://www.fesco.co.kr)