

PGSAFE THREAD STAINLESS STEEL FLOAT VALVE



Overview:

PGSAFE stainless steel float valves are a reliable solution for maintaining constant fluid levels in water tanks and reservoirs. Utilizing the principle of buoyancy, these valves are ideal for a variety of applications, including potable water and municipal tap water systems.

Key Features & Operation:

Our PLSPG series valve is engineered to operate with precision, ensuring drip-tight closure and efficient flow control.

Fluid-Powered Balance:

The valve's innovative design divides inlet pressure into two opposing forces: one acting upward on the piston and the other acting downward on the disk and spindle. This creates a balanced pressure system that nearly equalizes the forces required for opening and closing the valve.

Compact & Efficient:

This unique balancing mechanism eliminates the need for a large, heavy float. A much smaller, more compact float is sufficient to achieve a perfect, drip-tight seal, making the valve more space-efficient and easier to install.

Dual-Fulcrum Design:

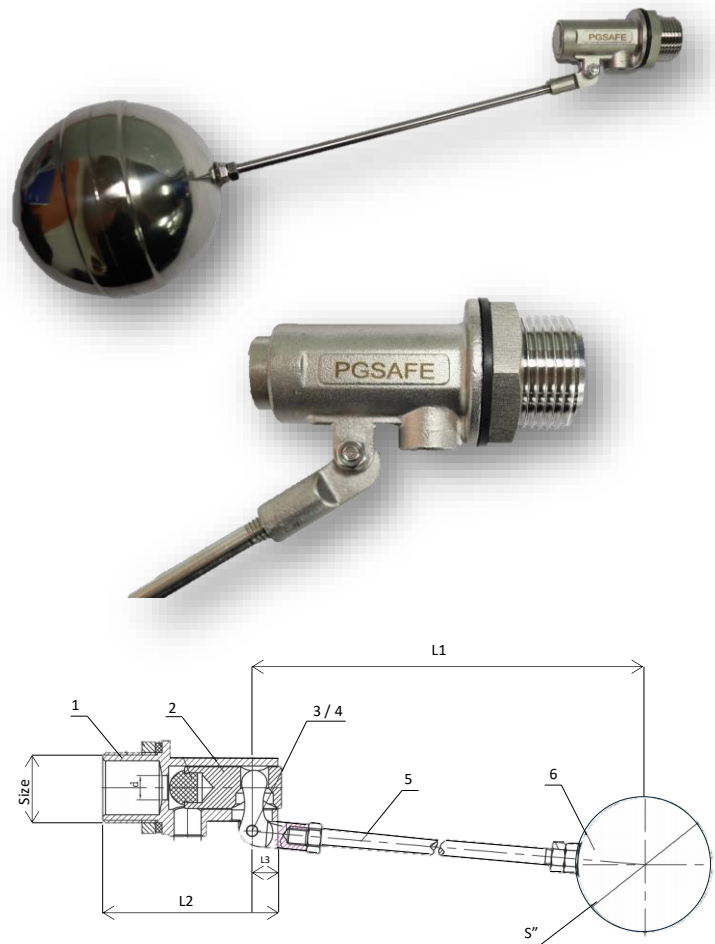
The valve features a double-fulcrum mechanism, providing enhanced leverage and stability for reliable operation. The valve opens fully at a preset low water level and closes completely at a preset high level, ensuring consistent performance with minimal maintenance.

Specifications:

Application: Water
 Working Pressure: 0 – 4.5 bar
 Testing Pressure: 5 bar
 Working Temperature: 0 - 120°C
 Thread end: BSPP

Material

STT	Item	Material
1	Valve Body	SUS304
2	Spool	SUS304
3	Nut	SUS304
4	Screw	SUS304
5	Stem	SUS304
6	Ball	SUS304



Dimension

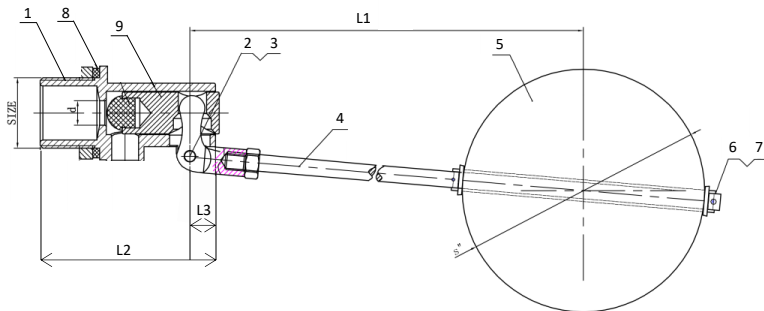
DN	SIZE	L1 (mm)	L2 (mm)	L3 (mm)	S'' (mm)	Model
15	½"	250	62	18	110	FLSPG15
20	¾"	265	64	18	110	FLSPG20
25	1"	340	84	23	135	FLSPG25
32	1 ¼"	360	87	23	150	FLSPG32

Specifications:

Application: Water
 Working Pressure: 0 – 4.5 bar
 Testing Pressure: 5 bar
 Working Temperature: 0 - 120°C
 Thread end: BSPP

Material

STT	Item	Material
1	Valve Body	SUS304, SUS316
2	Nuts	SUS304, SUS316
3	Screw	SUS304, SUS316
4	Stem	SUS304, SUS316
5	Ball	SUS304
6	Pin	SUS304
7	Gasket	SUS304
8	Gasket	SUS304
9	Plug	SUS304, SUS316



Dimension

DN	SIZE	L1 (mm)	L2 (mm)	L3 (mm)	S" (mm)	Model
40	1 ½"	450	110	22	230	FLSPG40
50	2"	475	120	22	250	FLSPG50