



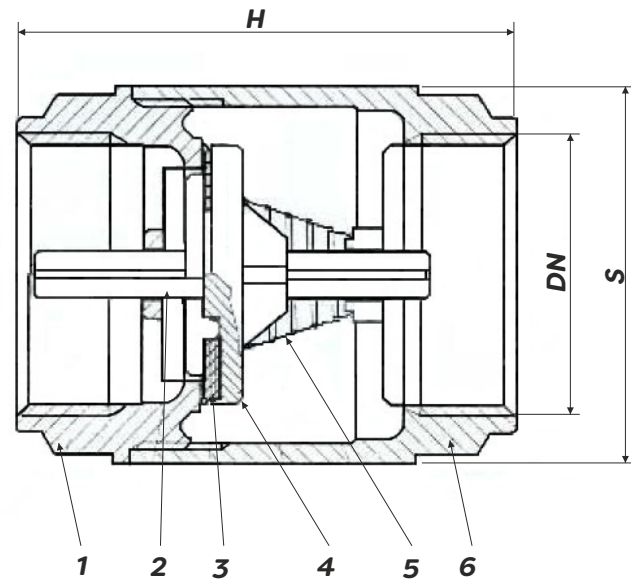
Product

- 3085-101 - Check Valve 1"
- 3085-041 - Check Valve 1 1/4"
- 3085-021 - Check Valve 1 1/2"
- 3085-201 - Check Valve 2"
- 3086-101 - Filter for Check Valve 1"
- 3086-041 - Filter for Check Valve 1 1/4"
- 3086-021 - Filter for Check Valve 1 1/2"
- 3086-201 - Filter for Check Valve 2"

Technical Specification

Max Inlet Pressure (static): 16 Bar
 Temperature Range: 0 - 80°C
 Medium: Water

Code	Size (G)	DN [mm]	H [mm]	S [mm]
3085-101	1"	25	82	53
3085-041	1 1/4"	32	87	65
3085-021	1 1/2"	40	94.5	73.5
3085-201	2"	50	100	90.5



Ref.	Component	Material
1	Sleeve	Brass CW617
2	Shutter	PA6 natural polymer
3	Gasket	NBR
4	Shutter	PA6 natural polymer
5	Spring	AISI 302 stainless steel
6	Body	Brass CW617

Additional Information

Prevents the back flow of water in a system

Controls the water flow direction

Suitable for all system types (industrial, pneumatic, hydraulic & residential)

Basket filter available to stop system debris interfering with the function of the check valve