

Product overview

Sensor for light measurement in rooms and offices (model Li04, specially for wall mounting) or in outdoor areas (model Li65). Designed for locking on control and display systems. The sensors have an integrated colour filter (green filter) which is adapted to the sensitivity of human eyes.



Li04



Li65

Types available

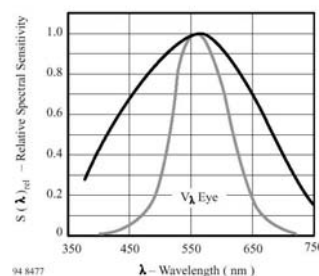
Type code	Type	Description
EXT-TN-1072365	Li04 V	Room light sensor, 0...10V
EXT-TN-1071528	Li65 A	Outdoor light sensor, 4...20mA
EXT-TN-1071511	Li65 V	Outdoor light sensor, 0...10V


Technical data

Standards	CE conformity	- 2004/108/EG Electromagnetic compatibility - 2001/95/EG Product safety
	EN conformity	- EN60730-1:2002 EMC - EN60730-1:2002 Product safety
	General data	Measuring element Accuracy Housing
Type A	Ambient temperature	-20 ... +70°C
	Storage temperature	-20 ... +70°C / max. 85% RH, non-condensing
	Protection	- Li04 : IP30 according to EN60529 - Li65 : IP65 according to EN60529
	Operating voltage	DC 15-24V(±10%)
	Power consumption	Max. 20mA
	Measuring range	1 : Max. 2kLux 2 : Max. 20kLux 3 : Max. 100kLux
	Output	4...20mA, max. load 500Ω
Type V	Clamps	2 pole (two wire), terminal strip max. 1.5mm ²
	Cable entry	Li65 : Single entry, M20 for wire conductor D=8mm
	Weight	- Li04 : 80g - Li65 : 100g
	Operating voltage	DC 15-24V(±10%) or AC 24V(±10%)
	Power consumption	Power consumption : Typical 0.15W / 0.5VA
	Measuring range	1 : Max. 2kLux 2 : Max. 20kLux 3 : Max. 100kLux
	Output	0...10V, min. load 5kΩ
Remarks	Clamps	3 pole (three wire), terminal strip max. 1.5mm ²
	Cable entry	Li65 : Single entry, M20 for wire conductor D=8mm
	Weight	- Li04 : 80g - Li65 : 100g

Remarks

- 1.) Sensitivity of sensor without prism. Adjustable by means of DIP-switch on the transducer.
- 2.) Accuracy of transducer without prism. Manufacturer's calibration is made in the 2kLux range. Operating voltage DC 24V and 21°C (±5K) ambient temperature. Please take care that the transducer should generally be operated in the measuring range centre, as increased deviations could occur on the measuring range end points. In addition the ambient temperature of the transducer electronics should be kept constant.



Security advice 

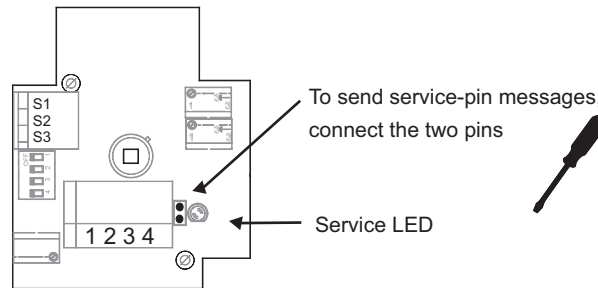
The installation and assembly of electrical equipment may only be performed by a skilled electrician. The modules must not be used with equipment that supports, directly or indirectly, human health or life or with applications that can result in danger for people or animals.

Electrical connection

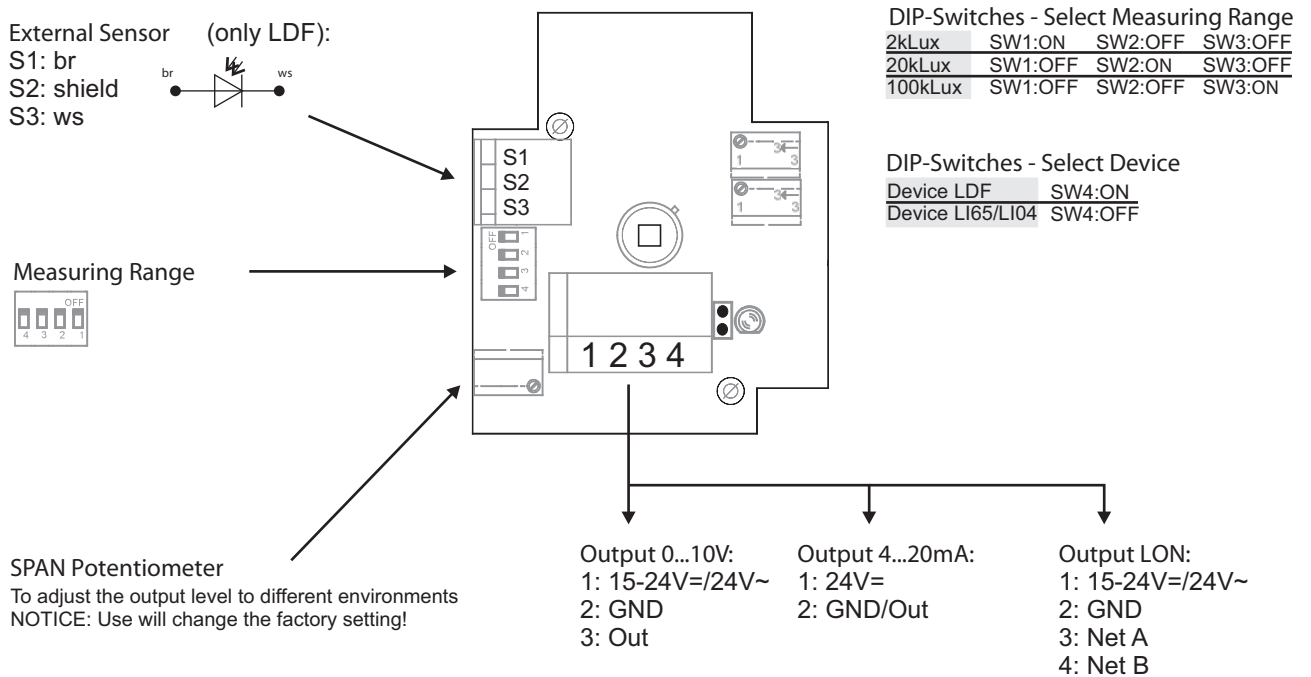
The devices are constructed for the operation of protective low voltage (SELV). For the electrical connection, the technical data of the corresponding device is valid.
 With regard to passive sensors (e.g. PT100 etc.) in 2-wire conductor versions, the wire resistance of the supply wire has to be considered. It is likely that the same has to be compensated by the following electronics.
 Due to the self-heating, the wire current affects the accuracy of the measurement. Therefore it should not exceed 1mA.
 Sensing devices with transducer should in principle be operated in the middle of the measuring range to avoid deviations at the measuring end points. The ambient temperature of the transducer electronics should be kept constant.

Mounting advice

The sensor is fixed by means of screws. With LI04, an installation on standard ISO boxes is possible. Tightening material is not included in delivery range.

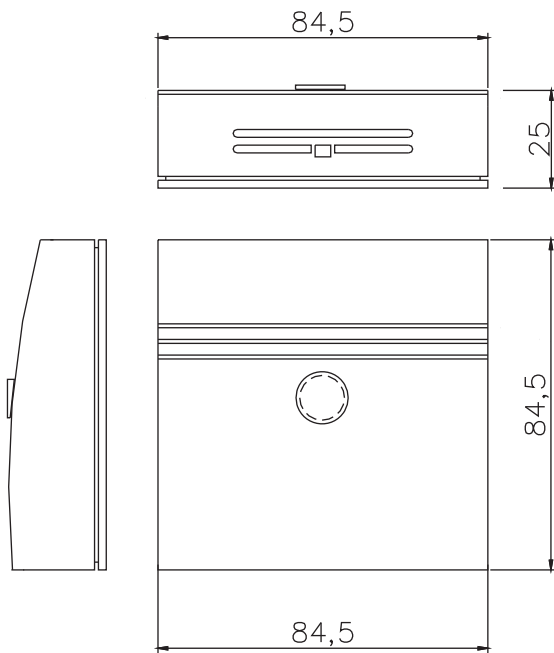


Terminal connection plan



Dimensions (mm)

Li04 V



Li65 A / V

